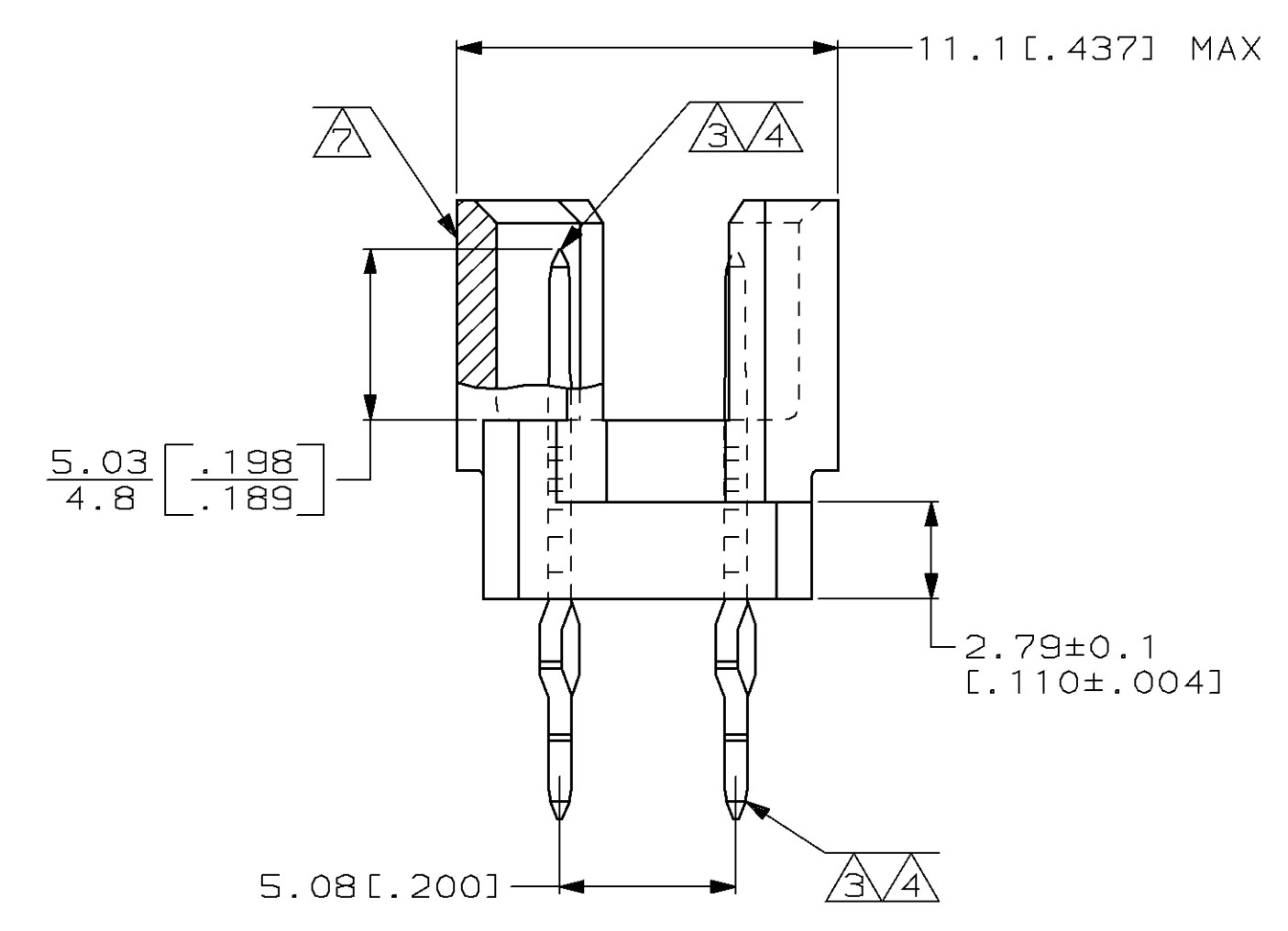
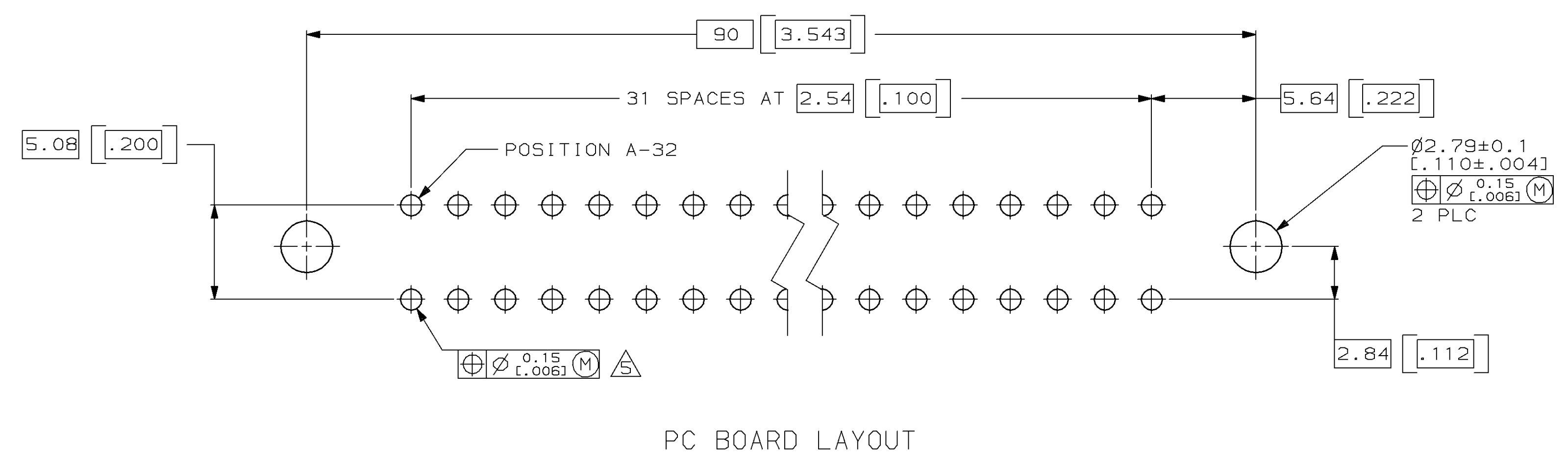
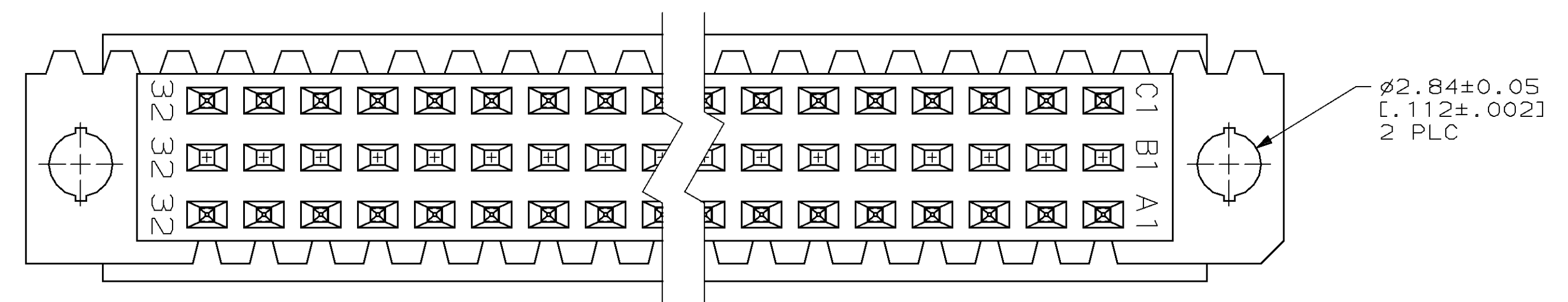
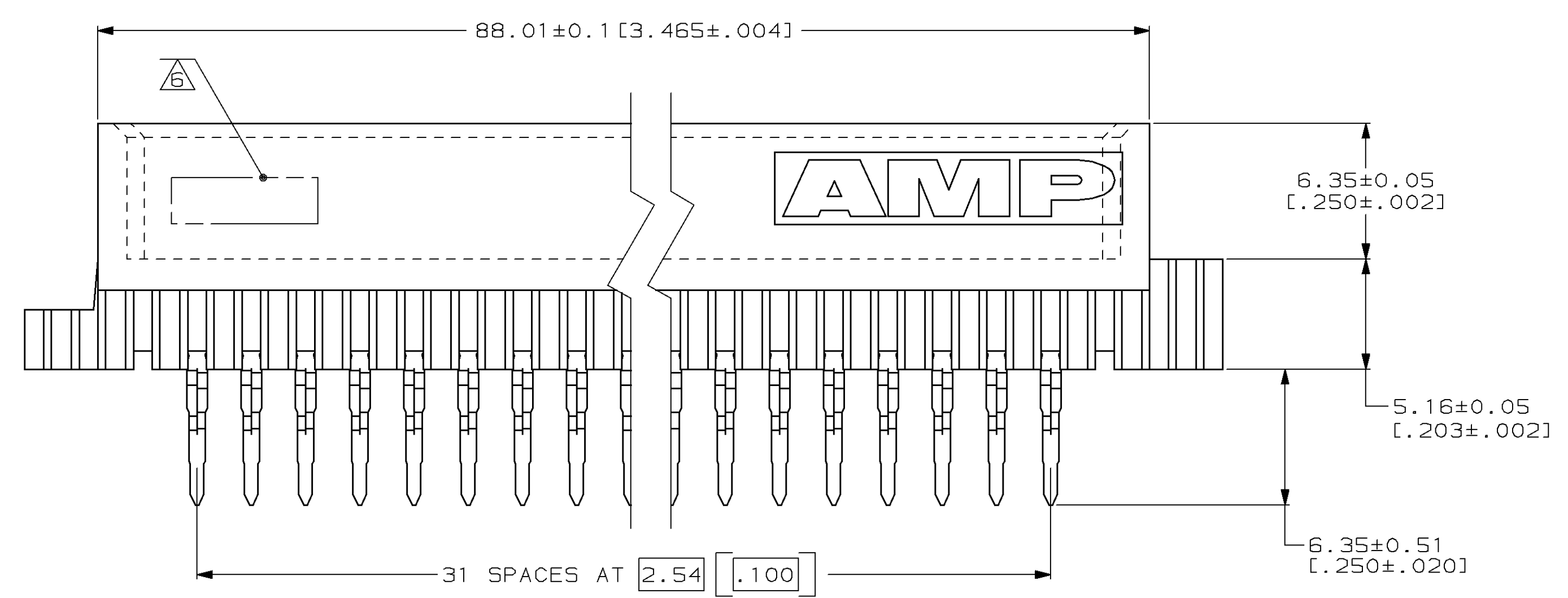
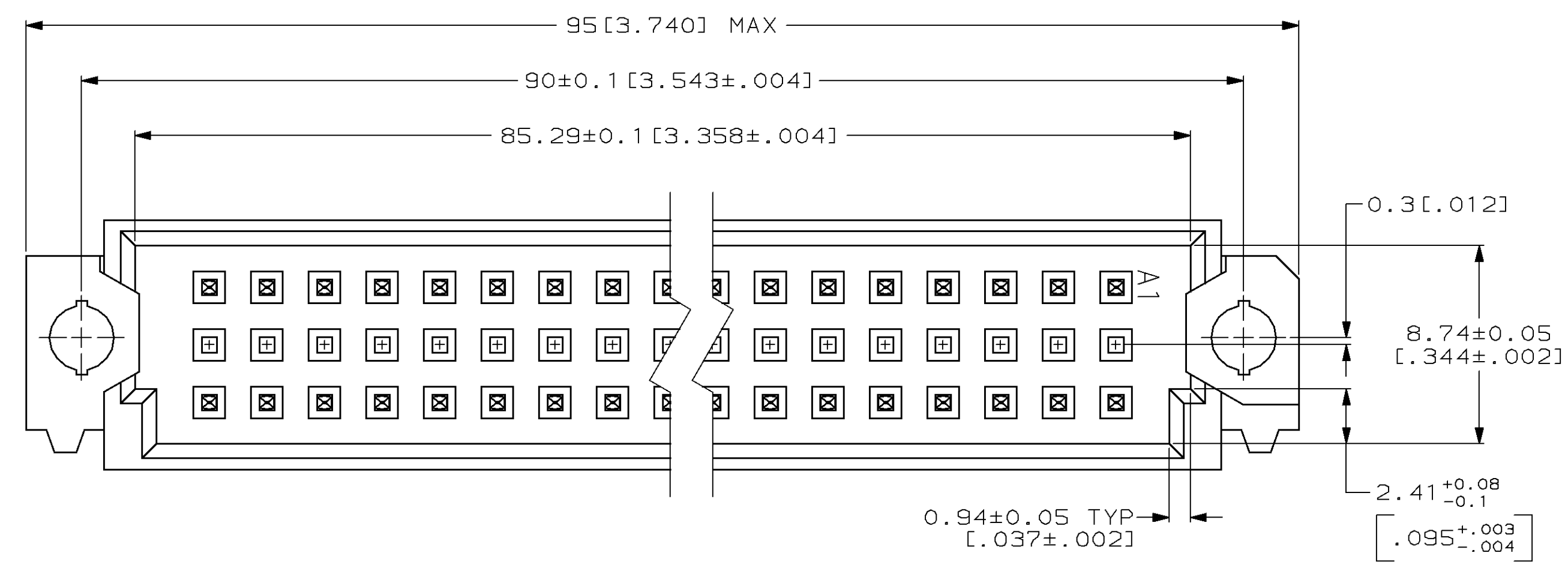


| LOC | DIST | P | F | ZONE | LTR | REVISIONS | DATE     | APPD |
|-----|------|---|---|------|-----|-----------|----------|------|
| AD  | 25   |   |   |      |     | 0         |          |      |
|     |      |   |   |      |     | B         | 6/10/91  | LSB  |
|     |      |   |   |      |     | C         | 11/14/91 | LSB  |
|     |      |   |   |      |     | D         | 12/30/91 | LSB  |
|     |      |   |   |      |     | E         | 6/2/92   | LSB  |
|     |      |   |   |      |     | F         | 2/7/94   | LSB  |
|     |      |   |   |      |     | G         | 3/25/94  | LSB  |
|     |      |   |   |      |     | H         | 2/24/95  | LSB  |



- △ HOUSING MATERIAL: GLASS-FILLED POLYESTER. COLOR: GRAY.
- △ POST MATERIAL: PHOSPHOR BRONZE.
- △ POST FINISH: DIN 41612 CLASS 3 IN CONTACT AREA. TIN-LEAD PLATE ON POSTS.
- △ POST FINISH: DIN 41612 CLASS 2 IN CONTACT AREA. TIN-LEAD PLATE ON POSTS.
- △ ACTION PIN POSTS REQUIRE 2.36 [0.093] MINIMUM THICK PC BOARD. RECOMMENDED PC BOARD HOLES ARE 1.151 [0.0453] DIA PLATED THROUGH WITH 0.02-0.08 [0.001-.003] COPPER AND 0.008 [0.0003] MINIMUM TIN-LEAD PLATING. FINISHED HOLE AFTER PLATING, 0.94-1.09 [0.037-.043] DIA.
- △ [PART NUMBER, DATE CODE] MARKED THIS APPROXIMATE AREA.
- △ MARKING ON THIS SIDE.

| NOTES    | POSITIONS LOADED | C | B | A | NO. OF LOADED POSITION | ASSY PART NUMBER |
|----------|------------------|---|---|---|------------------------|------------------|
| OBSOLETE |                  |   |   |   |                        |                  |
|          |                  |   |   |   |                        |                  |
|          |                  |   |   |   |                        |                  |
|          |                  |   |   |   |                        |                  |
|          |                  |   |   |   |                        |                  |
|          |                  |   |   |   |                        |                  |

| DO NOT SCALE PRINT. UNLESS SPECIFIED DIMENSIONS IN mm [INCHES] |                             | PART NO  |                 |
|--|-----------------------------|--|-----------------|
| DR L. BRINER 3/18/91   | CHK D.C. RUBENDALL 3/26/91  | <b>AMP</b> AMP Incorporated<br>Harrisburg, PA 17105-3608 |                 |
| APPD D.C. RUBENDALL 3/26/91                                    | APPD D.C. RUBENDALL 3/26/91 |  |                 |
| MATERIAL HOUSING: △  | PRODUCT SPEC                | NAME PIN ASSEMBLY, EUROCARD, TYPE "R"                    |                 |
| POST: △  | FINISH                      | SIZE D   | CAGE CODE 00779 |
| POST: △/△  | APPLICATION SPEC            | DRAWING NO   | 650912          |
|  | WEIGHT                      | SCALE  | 5:1             |
|  |                             | SHEET  | 1 OF 1          |